



COGNIBOTICS



Scan for
a step file



Cognibotics

HKM1800

Do you appreciate high speed but need more reach? Or do you have the reach by using an oversized and slow robot? With reach and speed, new Cognibotics robot – HKM1800 will enable you to take your productivity to a new level. It covers 10 sqm at world-class speed, with a small footprint and high energy efficiency.

- 1800 mm radial reach
- 2000 mm pick cycle 1,6 s
- Energy efficient
- Small footprint
- Active Motion Stabilization

Long Reach with High Speed at low energy consumption

HKM1800 provides a new fourth motion principle for fast pick-and-place through its unique, patented arm structure. In comparison to existing scara, delta, and traditional 6-axis robots, it is built and optimized with superior performance for pick-and-place applications.

Built with high-strength, low-weight components, HKM1800 is one of the fastest robots on the market, offering an unprecedented combination of reach and low weight. With 80% of the manipulator's weight located in its stationary base, the energy consumption is very low.

A small footprint and the possibility of having robots work within each other's workspaces gives you the opportunity to shrink your production space.

Compact Robot

Cognibotics' world-class competence helps you integrate HKM1800 robots into special-purpose applications, standard cells, or machines.

Cognibotics Unique Competence

Cognibotics' world class competence helps you integrate HKM1800 robots into special purpose applications, your standard cells or machines.

Active Motion Stabilization

With active motion feedback from the robot wrist, each movement becomes perfectly controlled and distinct. The control system efficiently compensates for payload variations and deviations, thereby providing the shortest possible cycle times for a pick & place robot without compromising the smoothness of the motion.

Safe cable routing

Cables are routed through a well-protected and easy-to-access cavity in the base, giving predictable long life and mounting options minimizing the need for maintenance, and increasing the slimness and robustness of the robot installation.

Specification

HKM1800	
Max reach	1 800 mm
Nominal payload	2 kg
Max payload	7.5 kg
Max payload CoG offset	
-Vertical	200 mm
-Horizontal	50 mm
No of axes	4
Mounting	Floor
Integrated bus	EtherCAT RS485/RS232 (Optional) IO-Link (Optional)
Integrated 24V	3x1 Amp
Integrated air	2x 8 mm outer diameter

Performance

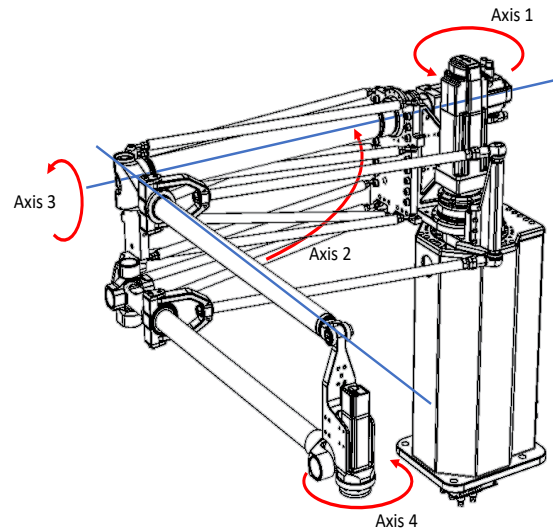
HKM1800	
2.0 kg motion cycle	
25-1000-250 mm	3564 cycles/hour
25-2000-250 mm	2394 cycles/hour
25-3000-250 mm	1710 cycles/hour
7,5 kg motion cycle	
25-1000-250 mm	2541 cycles/hour
25-2000-250 mm	1764 cycles/hour
25-3000-250 mm	1431 cycles/hour
Max TCP Acceleration	8 g
Acceleration time 0-1m/s	0.04 s

Technical

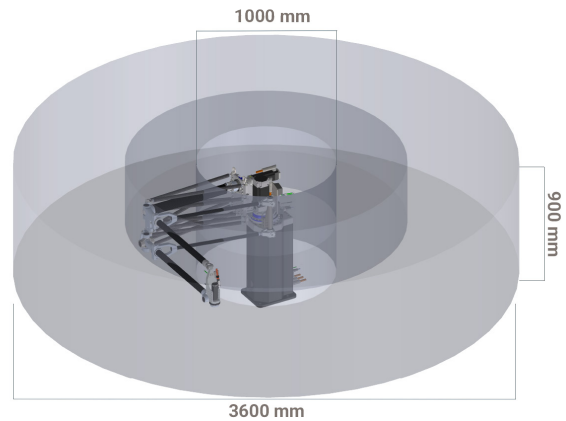
HKM1800	
Electrical	
Supply Voltage	400 V 50 Hz
Fuse	16 A slow fuse
Power Consumption	
-1-2 m motion	<1 kW
-0,51 m motion	<1 kW
Physical	
Robot Height	1036 mm
Footprint	280 x 320 mm
Weight	<125 kg
Ambient Temperature	
During Operation	+5°C to +35°C +41°F to +95°C
Transport & Storage	-25°C to +55°C -13°F to +131°F
Peaks not running robot	<70°C / +158°F <24 hours

Movement

Axis	Range	Max. speed
Axis 1	± 180°	500 °/s
Axis 2	± 56°	645 °/s
Axis 3	± 32°	409 °/s
Axis 4	Unlimited	1200 °/s



Working Range



Connect on social media:



Get in touch:

Phone: +46 46 286 59 90
E-mail: info@cognibotics.com
www.cognibotics.com