



Best-in-class reach and speed

Cognibotics

HKM1800

Have you appreciated high speed but been lacking reach? Cognibotics HKM1800 will enable you to take your productivity to a new level. It provides a 1800 mm radial reach at world class speeds, with a small footprint and very high energy efficiency.

Long Reach with High Speed at low energy consumption

The unique, patented arm structure enhanced with low weight and high strength components results in unrivaled performance.

With 80% of the manipulator weight located in its stationary base, the energy consumption is reduced significantly. The long reach enables you to substitute several conventional robots or serve many pick&place areas.

Compact Robot

The small footprint and the possibility to have robots easily work within each other's workspaces, gives you the opportunity to shrink your production space. The robot is easily installed in a variety of positions without the need for any supporting structures.

Cognibotics Unique Competence

With Cognibotics' world class competence, opportunities to integrate this solution into special purpose applications or your standard cells enable you to take new market shares.

In short:

- 1800 mm radial reach
- Palletizing cycle in 0,9 s
- Energy efficient
- Flexible mounting

Specification

HKM1800	
Max reach	1,8 m
Nominal payload	2 kg
Max payload	10 kg
Max payload CoG offset	
-Vertical	150 mm
-Horizontal	50 mm
No of axes	4
Mounting	Floor, Ceiling
Integrated signal & buses	8 x 12VA
	2 x twisted pair
Integrated air	2 x 6 mm outer diameter

Performance

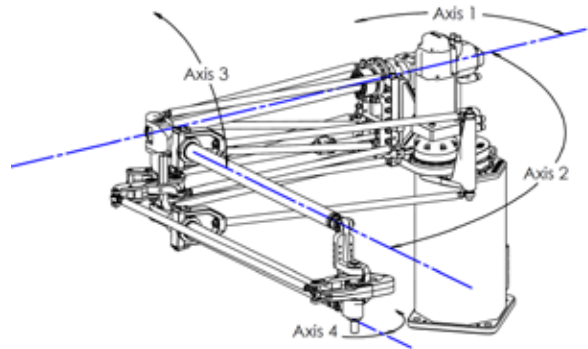
HKM1800	
2 kg pallet cycle	0,9 s
25-1000-250 mm	4000 cycles/hour
Max TCP Acceleration	10 g
Acceleration time 0-1m/s	0,04 s

Technical

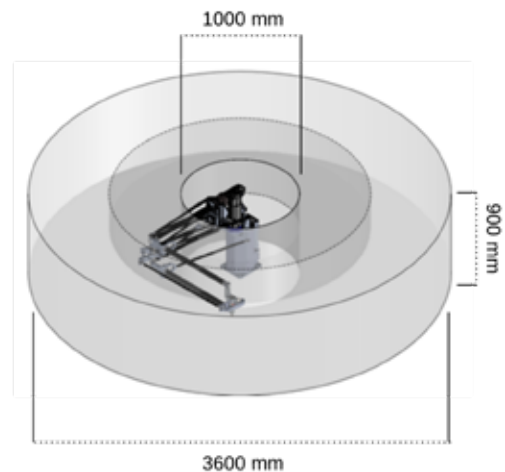
HKM1800	
Electrical	
Supply Voltage	230 V 50 Hz
Fuse	16 A slow fuse
Power Consumption	
-Palletizing 1-2m	<1 kW
-Pick & place 0,5-1m	<1 kW
Physical	
Robot Height	900 mm
Foot Print	300 x 300 mm
Weight	85 kg
Environment	
Ambient Temp Manipulator	+5°C to +35°C
During Operation	+5°C to +40°C +41°F to +104°F
Transport & Storage	- 25°C to +55°C -13°F to +131°F
Peaks not running <24hours	<70°C / +158°F

Movement

Axis	Range	Max. speed
Axis 1	± 180°	400 °/s
Axis 2	± 70°	550 °/s
Axis 3	± 60°	250 °/s
Axis 4	± 180°	800 °/s



Working Range



Get in touch:

Phone: +46 46 286 59 90
E-mail: info@cognibotics.com
www.cognibotics.com